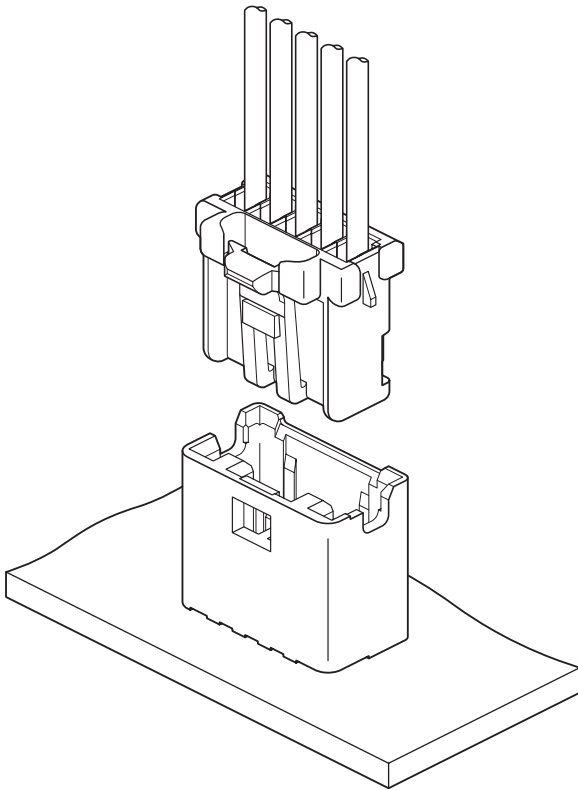


PNI CONNECTOR

2.0mm pitch/Disconnectable Crimp style connectors



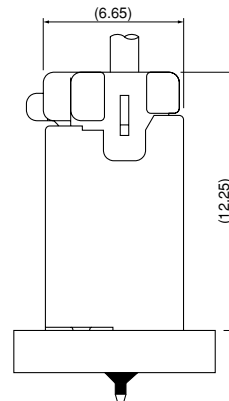
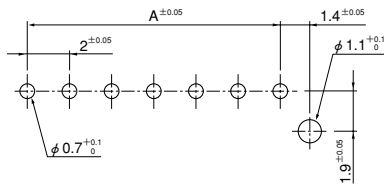
This is a 2.0mm pitch wire-to-board connector, having incomplete mating prevention mechanism.

- Inertial lock structure
- Finger-friendly design
- Secure locking structure

Specifications

- Current rating: 3A AC, DC (AWG#22)
- Voltage rating: 100V AC, DC
- Temperature range: -25°C to +85°C
(including temperature rise in applying electrical current)
- Contact resistance: Initial value/10m Ω max.
After environmental testing/20m Ω max.
- Insulation resistance: 1,000M Ω min.
- Withstanding voltage: 800V AC/minute
- Applicable wire: AWG #28 to #22
- Applicable PC board thickness: 1.6mm
- * RoHS compliant products are published.
- * Refer to "General Instruction and Notice when using Terminals and Connectors" at the end of this catalog.
- * Contact JST for details.

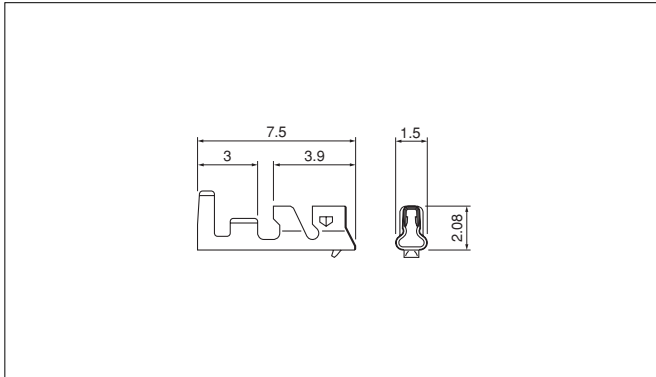
PC board layout (viewed from component side) and Assembly layout



Note: 1. Tolerances are non-cumulative: $\pm 0.05\text{mm}$ for all centers.
2. Hole dimensions differ according to the kind of PC board and piercing method.
The dimensions above should serve as a guideline. Contact JST for details.

PNI CONNECTOR

Contact



| Model No. | Applicable wire | | Insulation O.D. (mm) | Q'ty / reel |
|----------------|-----------------|-------|----------------------|-------------|
| | mm ² | AWG # | | |
| SPND-001T-C0.5 | 0.13~0.33 | 26~22 | 1.0~1.5 | 8,000 |
| SPND-002T-C0.5 | 0.08~0.22 | 28~24 | 0.8~1.5 | 8,000 |

Material and Finish

Copper alloy, tin-plated (reflow treatment)

RoHS compliance

| Contact | Crimping machine | Applicator | | |
|----------------|------------------|------------------|-------------------|----------------------------|
| | | Crimp applicator | Dies | Crimp applicator with dies |
| SPND-001T-C0.5 | AP-K2N | MKS-LS · MKS-L | MK/SPND-001-05 | APLMK SPND001-05 |
| | | — | — | — |
| SPND-002T-C0.5 | | MKS-LS · MKS-L | MK/SPAD/ND-002-05 | APLMK SPAD/ND002-05 |
| | | — | — | — |

Housing

<2 circuits>

<7 to 10 circuits>

<3, 4 circuits>

<5, 6 circuits>

| Circuits | Model No. | Dimensions (mm) | | Q'ty / bag |
|----------|-------------|-----------------|------|------------|
| | | A | B | |
| 2 | PNIRP-02V-S | — | 5.7 | 1,000 |
| 3 | PNIRP-03V-S | 4.0 | 7.7 | 1,000 |
| 4 | PNIRP-04V-S | 6.0 | 9.7 | 1,000 |
| 5 | PNIRP-05V-S | 8.0 | 11.7 | 1,000 |
| 6 | PNIRP-06V-S | 10.0 | 13.7 | 1,000 |
| 7 | PNIRP-07V-S | 12.0 | 15.7 | 1,000 |
| 8 | PNIRP-08V-S | 14.0 | 17.7 | 1,000 |
| 9 | PNIRP-09V-S | 16.0 | 19.7 | 1,000 |
| 10 | PNIRP-10V-S | 18.0 | 21.7 | 1,000 |

Material

Glass-filled PBT, UL94V-0, natural (white)

RoHS compliance

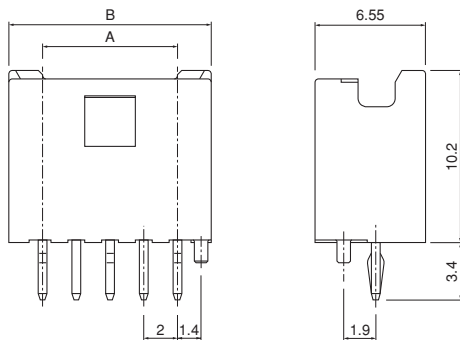
<For reference> As the color identification, the following alphabet shall be put in the underlined part. For availability, delivery and minimum order quantity, contact JST.

ex. **PNIRP-02V-S**
 S...natural (white) M...green K...black R...red E...blue
 H...gray

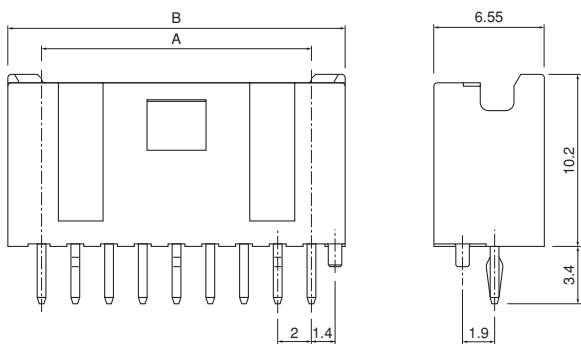
PNI CONNECTOR

Shrouded header

<2 to 7 circuits>



<8 to 10 circuits>



Glass-filled PBT

| Circuits | Model No. | Dimensions (mm) | | Q'ty / box |
|----------|---------------------|-----------------|------|------------|
| | With boss | A | B | |
| 2 | B02B-PNISK-1 | 2.0 | 6.0 | 1,000 |
| 3 | B03B-PNISK-1 | 4.0 | 8.0 | 1,000 |
| 4 | B04B-PNISK-1 | 6.0 | 10.0 | 500 |
| 5 | B05B-PNISK-1 | 8.0 | 12.0 | 500 |

Material and Finish

Post: Copper alloy, copper-undercoated, tin-plated (reflow treatment)
Wafer: Glass-filled PBT, UL94V-0, natural (white)

RoHS compliance This product displays (LF)(SN) on a label.

Glass-filled PA 66

| Circuits | Model No. | Dimensions (mm) | | Q'ty / box |
|----------|----------------------|-----------------|------|------------|
| | With boss | A | B | |
| 2 | B02B-PNISK-1A | 2.0 | 6.0 | 1,000 |
| 3 | B03B-PNISK-1A | 4.0 | 8.0 | 1,000 |
| 4 | B04B-PNISK-1A | 6.0 | 10.0 | 500 |
| 5 | B05B-PNISK-1A | 8.0 | 12.0 | 500 |
| 6 | B06B-PNISK-1A | 10.0 | 14.0 | 350 |
| 7 | B07B-PNISK-1A | 12.0 | 16.0 | 300 |
| 8 | B08B-PNISK-1A | 14.0 | 18.0 | 250 |
| 9 | B09B-PNISK-1A | 16.0 | 20.0 | 250 |
| 10 | B10B-PNISK-1A | 18.0 | 22.0 | 250 |

Material and Finish

Post: Copper alloy, copper-undercoated, tin-plated (reflow treatment)
Wafer: Glass-filled PA 66, UL94V-0, natural (white)

RoHS compliance This product displays (LF)(SN) on a label.

<For reference> As the color identification,
the following alphabet shall be put in the underlined part.
For availability, delivery and minimum order quantity, contact JST.

ex. **B02B-PNISK-1**
S...natural (white) M...green K...black R...red E...blue
H...gray

ex. **B02B-PNISK-1A**
S...natural (white) M...green R...red E...blue Y...yellow